

M.E.C. FLAT BELT®

Discount Ref. 62 Group M10

MAXIFLEX® OIL STAT® FLAT ENDLES BELTS

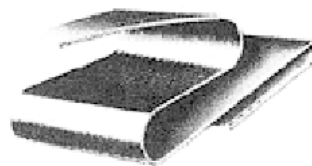
Discount Ref. 15 Group M11

DESCRIPTION

M.E.C. FLAT BELT® MAXIFLEX® OIL STAT® flat endless belt are made up highly resistant, synthetic, endless tubular fabric which is protected on both sides by a thin layer of neoprene rubber. These belts are heat-resistant, and are also resistant to the swelling action of mineral and vegetable oils, aggression from hydrocarbons and acids. They are conductive, non-stretch and withstand heavy duty use at high linear speed.

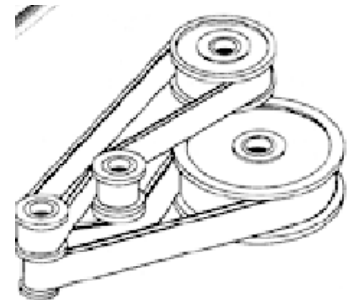
Their quality is such that it is possible to achieve transmission without high peripheral vibration. Moderate maintenance is required and little space is occupied. Other qualities include:

- a) considerable adherence
- b) high flexibility
- c) constant Thickness
- d) unchanging development over a long period of time
- e) extreme lightness



Dimensional characteristics:

- 1) Thickness 1,2 mm
- 2) Width from 5 mm to 300 mm
- 3) Rated length at measuring tension of 10 Kg/cm of width from 210 mm to 3300 mm
- 4) Thickness tolerance +/- 0,2 mm
- 5) Width tolerance +/- 0,5 mm
- 6) Length tolerance +/- 1,5 %



TRANSMITTABLE POWER IN HP PER CM OF WIDTH FOR ARCS OF CONTACT OF 180°

Linear Speed m/sec.	Ø minor pulley				
	Ø15 mm	Ø20 mm	Ø25 mm	Ø30 mm	≥35 mm
2,5	0,15	0,20	0,23	0,25	0,28
5	0,29	0,39	0,46	0,52	0,54
7,5	0,12	0,56	0,68	0,76	0,81
10	0,53	0,73	0,90	1	1,06
15	0,72	1,06	1,30	1,46	2,03
20	0,90	1,35	1,67	1,90	2,03
25	1,10	1,62	2	2,30	2,45
30	-	1,84	2,28	2,63	2,85
35	-	-	2,50	2,86	3,15
40	-	-	2,67	3,05	3,40
45	-	-	-	3,10	3,58
50	-	-	-	3,10	3,70
55	-	-	-	3,10	3,70
60	-	-	-	-	3,70

M.E.C. FLAT BELT® MAXIFLEX® OIL STAT®

FLAT ENDLES BELTS

Development[mm	Development[mm	Development□ mm
210	680	1100
220	690	1120
230	700	1140
240	710	1150
250	720	1160
260	730	1180
270	740	1200
280	750	1225
290	760	1250
300	770	1275
315	780	1300
330	790	1325
340	800	1350
350	810	1375
360	820	1400
370	830	1425
385	840	1450
400	850	1475
410	860	1500
420	870	1530
430	880	1560
440	890	1590
450	900	1600
460	910	1620
470	920	1650
480	930	1680
490	940	1700
500	950	1710
515	960	1740
530	970	1770
545	980	1800
560	990	1835
575	1000	1850
580	1010	1870
590	1020	1905
600	1030	1920
605	1040	1940
620	1050	1975
635	1060	2000
650	1070	2010
660	1080	2045
665	1090	2080

M.E.C. FLAT BELT® MAXIFLEX® OIL STAT®

FLAT ENDLES BELTS

Development □
mm

2100
2120
2160
2200
2240
2260
2280
2300
2320
2365
2400
2410
2430
2455
2500
2550
2600
2650
2700
2750
2800
2850
2900
2950
3000
3050
3100
3150
3200
3250
3300