

M.E.C. VARIBELT[®] OIL STAT[®] BELTS

Discount Ref. 07 Group B9

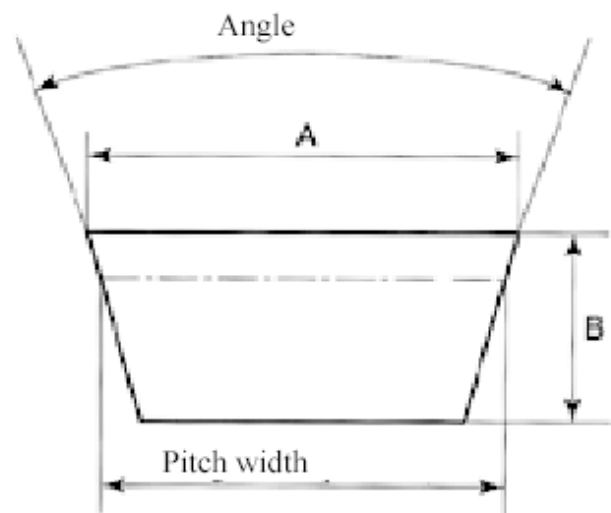
These are heat-resistant, oil-resistant and anti-static belts.

They are specifically used with variable pulleys and thus are mainly utilized in speed variators (textile, paper, chemical industries, etc.).

Belt sections

M.E.C. VARIBELT[®] OIL STAT[®] V-belts for industrial type continuous speed variators are available in sections as shown below :

ISO Standards	A x B (mm)	Pitch width mm	Angle
	13 x 6	12	26°
W 16 =	17 x 5	16	26°
W 20 =	21 x 6,5	20	26°
	22 x 8	21	26°
W 25 =	26 x 8	25	26°
	28 x 10	27	26°
W 31,5	33 x 10	31,5	26°
	36 x 12	34,5	30°
W 40 =	42 x 13	40	30°
	46 x 13	44,5	30°
W 50 =	52 x 16	50	30°
	54 x 16	52	30°
W 63 =	65 x 20	63	30°
	70 x 20	68	30°
W 80 =	83 x 25	80	30°



The M.E.C. VARIBELT[®] OIL STAT[®] V belts symbol consists of three numbers (e.g. 22 x 8 x 1000) followed by the letter L .

The first number specified the width of the broad base, the second specifies the thickness and the third the inside length.

This symbol are printed on the belt

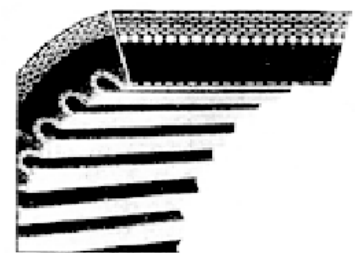
The rated pitch length is the length of the belt measured in relation to the pitch width (Lp)

From the rated pitch length the following may be calculated :

1. the rated outside length, by adding the K value
2. the rated inside length , by subtracting W value

The K and W values re shown in the following table:

Belt Thickness = B										
Δ	5	6	6,5	8	10	12	13	16	20	25
K	8	9	10	12	16	19	21	25	31	40
W	24	30	31	38/40	47/50	22	60/61	75	94/95	120



Please consult the calculus Booklet for technical features

M.E.C. VARIBELT® OIL STAT® BELTS

SECTION 13 x 6 mm

Rated inside length mm	Rated pitch length mm
475	505
500	530
525	555
550	580
600	630
625	655
650	680
675	705
700	730
725	755
750	780
775	805
800	830
850	880
900	930
950	980
1000	1030
1060	1090
1120	1150
1180	1210
1250	1280
1320	1350
1400	1430

SECTION 17 x 5 mm ISO W 16 Standard

476	500
536	560
606	630
686	710
776	800
876	900
976	1000

SECTION 21 x 6,5 mm ISO W 20 Standard

Rated inside length mm	Rated pitch length mm
529	560
599	630
679	710
769	800
869	900
969	1000
1089	1120
1219	1250

SECTION 22 x 8 mm

500	540
525	565
550	590
575	615
600	640
625	665
650	690
675	715
700	740
725	765
750	790
775	815
800	840
850	890
900	940
950	990
1000	1040
1060	1100
1120	1160
1180	1220
1225	1265
1250	1290
1320	1360
1400	1440
1500	1540
1600	1640
1800	1840
1900	1940
2000	2040

SECTION 26 x 8 mm ISO W 25 Standard

Rated inside length mm	Rated pitch length mm
672	710
762	800
862	900
962	1000
1082	1120
1212	1250
1362	1400
1562	1600

SECTION 28 x 8 mm ISO W 27 Standard

850	890
-----	-----

SECTION 28 x 10 mm

525	575
550	600
575	625
600	650
625	675
650	700
675	725
700	750
725	775
750	800
800	850
850	900
900	950
950	1000
1000	1050
1060	1110
1120	1170
1180	1230
1250	1300
1320	1370
1400	1450
1500	1550
1600	1650
1700	1750
1800	1850
2000	2050

M.E.C. VARIBELT® OIL STAT® BELTS

SECTION 33 x 10 mm ISO W 31,5 Standard

Rated inside length mm	Rated pitch length mm
853	900
953	1000
1073	1120
1203	1250
1353	1400
1553	1600
1753	1800
1953	2000

SECTION 36 x 12 mm

600	655
625	680
650	705
700	755
725	780
750	805
800	855
850	905
900	955
950	1005
960	1015
1000	1055
1060	1115
1120	1175
1180	1235
1250	1305
1320	1375
1400	1455
1500	1555
1600	1655
1700	1755
1800	1855
1900	1955
2000	2055
2120	2175
2240	2295

SECTION 42 x 13 mm ISO W 40 Standard

Rated inside length mm	Rated pitch length mm
1059	1120
1189	1250
1249	1310
1339	1400
1539	1600
1739	1800
1939	2000
2179	2240
2439	2500

SECTION 46 x 13 mm

795	855
845	905
870	930
895	955
945	1005
995	1055
1025	1085
1055	1115
1115	1175
1140	1200
1175	1235
1190	1250
1245	1305
1265	1325
1315	1375
1395	1455
1430	1490
1495	1555
1560	1620
1595	1655
1635	1695
1695	1755
1735	1795
1795	1855
1895	1955
1915	1975
2000	2060
2060	2120
2120	2180
2210	2270
2240	2300

Rated inside length mm	Rated pitch length mm
------------------------	-----------------------

2360	2420
2400	2460
2500	2560
2800	2860

SECTION 52 x 16 mm ISO W 50 Standard

1325	1400
1525	1600
1725	1800
1925	2000
2165	2240
2425	2500
2725	2800
3075	3150

SECTION 54 x 16 mm

1180	1255
1250	1325
1320	1395
1400	1475
1500	1575
1600	1675
1800	1875
2000	2075
2240	2315

M.E.C. VARIBELT® OIL STAT® BELTS

SECTION 65 x 20 mm ISO W 63 Standard

Rated inside length mm	Rated pitch length mm
1506	1600
1706	1800
1906	2000
2146	2240
2406	2500
2706	2800
3056	3150
3456	3550

SECTION 83 x 25 mm ISO W 80 Standard

Rated inside length mm	Rated pitch length mm
1680	1800
1880	2000
2120	2240
2380	2500
2680	2800
3030	3150
3430	3550

SECTION 70 x 20 mm

1320	1415
1400	1495
1500	1595
1600	1695
1610	1705
1700	1795
1710	1805
1800	1895
1900	1895
2000	2095
2065	2160
2120	2210
2240	2330
2360	2450
2500	2590
2800	2890
3150	3240
3210	3300
3260	3350
3520	3610