

M.E.C. V-BELT[®] SP OIL STAT[®] NARROW SECTION DRIVE BELTS

according to DIN standard

Discount Ref. 03 Group A2

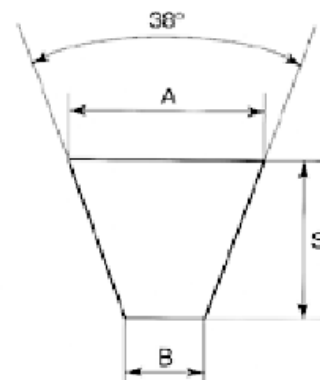
Compared to conventional belts, the SP drive belts make it possible to reduce space, and more specifically:

- A) Carry out transmission of limited size
- B) Can be used on motors with a high number of revolutions
- C) Use of cone pulleys
- D) Reduced weight pulleys
- E) High gear ratios
- F) Reduced distance between pulley centres

Belt sections

M.E.C. V-BELT[®] SP V-belts are available in sections shown in the table below :

Section Code	Sections	A mm	S mm	B mm	Angle
1	SPZ	9,7	8	4,2	38°
2	SPA	12,7	10	5,8	38°
3	SPB	16,3	13	7,3	38°
4	SPC	22	18	9,6	38°



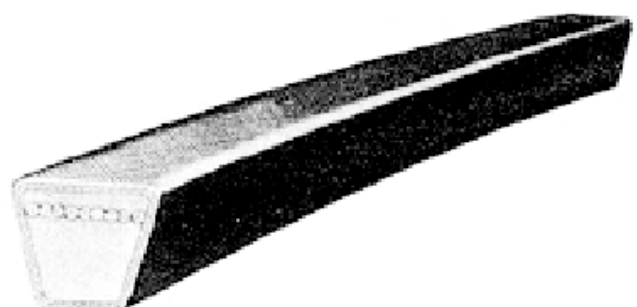
Belt identification

M.E.C. V-BELT[®] SP OIL STAT[®] V-belts for industrial use are identified by letters which specify the section (e.g. SPZ) and by number (e.g. 900) which corresponds to certain rated pitch length in mm.

Please consult the calculus Booklet for Technical Features.

Recommended minimum pitch pulley diameters

Sections	SPZ	mm	63
	SPA	mm	100
	SPB	mm	140
	SPC	mm	250



M.E.C. V-BELT® SP OIL STAT®

SECTION "SPZ" (9,7 x 8 mm)

Type	Rated outside length mm
SPZ 512	525
SPZ 587	600
SPZ 607	620
SPZ 612	625
SPZ 630	643
SPZ 637	650
SPZ 662	675
SPZ 670	683
SPZ 687	700
SPZ 710	723
SPZ 722	735
SPZ 737	750
SPZ 750	763
SPZ 762	775
SPZ 787	800
SPZ 800	813
SPZ 812	825
SPZ 837	850
SPZ 850	863
SPZ 862	875
SPZ 887	900
SPZ 900	913
SPZ 912	925
SPZ 937	950
SPZ 950	963
SPZ 962	975
SPZ 987	1000
SPZ 1000	1013
SPZ 1012	1025
SPZ 1037	1050
SPZ 1060	1073
SPZ 1077	1090
SPZ 1087	1100
SPZ 1112	1125
SPZ 1120	1133
SPZ 1137	1150
SPZ 1147	1160
SPZ 1150	1163
SPZ 1162	1175
SPZ 1180	1193
SPZ 1187	1200
SPZ 1202	1215

SECTION "SPZ" (9,7 x 8 mm)

Type	Rated outside length mm
SPZ 1212	1225
SPZ 1237	1250
SPZ 1250	1263
SPZ 1262	1275
SPZ 1270	1283
SPZ 1280	1293
SPZ 1287	1300
SPZ 1312	1325
SPZ 1320	1333
SPZ 1337	1350
SPZ 1362	1375
SPZ 1387	1400
SPZ 1400	1413
SPZ 1412	1425
SPZ 1437	1450
SPZ 1462	1475
SPZ 1487	1500
SPZ 1500	1513
SPZ 1512	1525
SPZ 1537	1550
SPZ 1562	1575
SPZ 1587	1600
SPZ 1600	1613
SPZ 1612	1625
SPZ 1637	1650
SPZ 1662	1675
SPZ 1687	1700
SPZ 1700	1712
SPZ 1737	1750
SPZ 1762	1775
SPZ 1787	1800
SPZ 1800	1813
SPZ 1812	1825
SPZ 1850	1863
SPZ 1862	1875
SPZ 1887	1900
SPZ 1900	1913
SPZ 1937	1950
SPZ 1962	1975
SPZ 1987	2000
SPZ 2000	2013
SPZ 2019	2032

SECTION "SPZ" (9,7 x 8 mm)

Type	Rated outside length mm
SPZ 2120	2133
SPZ 2240	2253
SPZ 2360	2373
SPZ 2500	2513
SPZ 2580	2593
SPZ 2650	2663
SPZ 2720	2733
SPZ 2800	2813
SPZ 3000	3013
SPZ 3150	3163
SPZ 3350	3363
SPZ 3550	3563

Inside length = □

Outside length - 51 mm. □

Pitch length = □

Outside length - 13 mm. □

Theoretical belt weight = 0,074 Kg/ml

M.E.C. V-BELT® SP OIL STAT®

SECTION "SPA" (12,7 x 10 mm) SECTION "SPA" (12,7 x 10 mm) SECTION "SPA" (12,7 x 10 mm)

Type	Rated outside length mm
SPA 732	750
SPA 757	775
SPA 782	800
SPA 800	818
SPA 807	825
SPA 832	850
SPA 850	868
SPA 857	875
SPA 882	900
SPA 900	918
SPA 907	925
SPA 932	950
SPA 950	968
SPA 957	975
SPA 982	1000
SPA 1000	1018
SPA 1007	1025
SPA 1032	10,50
SPA 1060	1078
SPA 1082	1100
SPA 1107	1125
SPA 1120	1138
SPA 1132	1150
SPA 1157	1175
SPA 1180	1198
SPA 1207	1225
SPA 1232	1250
SPA 1250	1268
SPA 1257	1275
SPA 1282	1300
SPA 1307	1325
SPA 1320	1338
SPA 1332	1350
SPA 1357	1375
SPA 1382	1400
SPA 1400	1418
SPA 1407	1425
SPA 1432	1450
SPA 1457	1475
SPA 1482	1500
SPA 1500	1518
SPA 1507	1525

Type	Rated outside length mm
SPA 1532	1550
SPA 1557	1575
SPA 1582	1600
SPA 1600	1618
SPA 1607	1625
SPA 1632	1650
SPA 1650	1668
SPA 1657	1675
SPA 1682	1700
SPA 1700	1718
SPA 1707	1725
SPA 1732	1750
SPA 1757	1775
SPA 1782	1800
SPA 1800	1818
SPA 1807	1825
SPA 1832	1850
SPA 1857	1875
SPA 1882	1900
SPA 1900	1918
SPA 1907	1925
SPA 1932	1950
SPA 1957	1975
SPA 1982	2000
SPA 2000	2018
SPA 2032	2050
SPA 2120	2138
SPA 2132	2150
SPA 2240	2258
SPA 2282	2300
SPA 2300	2318
SPA 2307	2325
SPA 2360	2378
SPA 2382	2400
SPA 2432	2450
SPA 2482	2500
SPA 2500	2518
SPA 2532	2550
SPA 2580	2598
SPA 2632	2650
SPA 2650	2668
SPA 2720	2738

Type	Rated outside length mm
SPA 2725	2743
SPA 2732	2750
SPA 2782	2800
SPA 2800	2818
SPA 2832	2850
SPA 2847	2865
SPA 2882	2900
SPA 2932	2950
SPA 2982	3000
SPA 3000	3018
SPA 3150	3168
SPA 3350	3368
SPA 3400	3418
SPA 3550	3568
SPA 3750	3768
SPA 4000	4018
SPA 4250	4268
SPA 4500	4518

Inside length = □
 Outside length - 63 mm. □
 Pitch length = □
 Outside length - 18 mm. □
 Theoretical belt weight = 0,119 Kg/ml

M.E.C. V-BELT® SP OIL STAT®

SECTION "SPB" (16,3 x 13 mm) SECTION "SPB" (16,3 x 13 mm) SECTION "SPC" (22 x 18 mm)

Type	Rated outside length mm
SPB 1250	1272
SPB 1320	1342
SPB 1400	1422
SPB 1450	1472
SPB 1500	1522
SPB 1600	1622
SPB 1700	1722
SPB 1750	1772
SPB 1800	1822
SPB 1850	1872
SPB 1860	1882
SPB 1900	1922
SPB 1950	1972
SPB 2000	2022
SPB 2110	2132
SPB 2120	2142
SPB 2240	2262
SPB 2246	2268
SPB 2360	2382
SPB 2430	2452
SPB 2500	2522
SPB 2580	2602
SPB 2650	2672
SPB 2680	2702
SPB 2800	2822
SPB 2830	2852
SPB 3000	3022
SPB 3150	3172
SPB 3250	3272
SPB 3350	3372
SPB 3450	3472
SPB 3550	3572
SPB 3750	3772
SPB 3800	3822
SPB 3870	3892
SPB 4000	4022
SPB 4250	4272
SPB 4500	4522
SPB 4750	4772
SPB 5000	5022
SPB 5300	5322
SPB 5600	5622

Type	Rated outside length mm
SPB 6000	6022
SPB 6300	6322
SPB 6700	6722
SPB 7100	7122
SPB 7500	7522
SPB 8000	8022

Inside length = □
 Outside length - 82 mm. □
 Pitch length = □
 Outside length - 22 mm. □
 Theoretical belt weight = 0,194 Kg/ml

Type	Rated outside length mm
SPC 1700	1730
SPC 2000	2030
SPC 2120	2150
SPC 2240	2270
SPC 2360	2390
SPC 2500	2530
SPC 2600	2630
SPC 2650	2680
SPC 2800	2830
SPC 3000	3030
SPC 3150	3180
SPC 3350	3380
SPC 3550	3580
SPC 3750	3780
SPC 4000	4030
SPC 4250	4280
SPC 4500	4530
SPC 4750	4780
SPC 5000	5030
SPC 5300	5330
SPC 5600	5630
SPC 6000	6030
SPC 6300	6330
SPC 6700	6730
SPC 7100	7130
SPC 7500	7530
SPC 8000	8030
SPC 8500	8530
SPC 9000	9030
SPC 9500	9530
SPC 10000	10030
SPC 10600	10630
SPC 11200	11230
SPC 11800	11830
SPC 12500	12530

Inside length = □
 Outside length - 113 mm. □
 Pitch length = □
 Outside length - 30 mm. □
 Theoretical belt weight = 0,35 Kg/ml